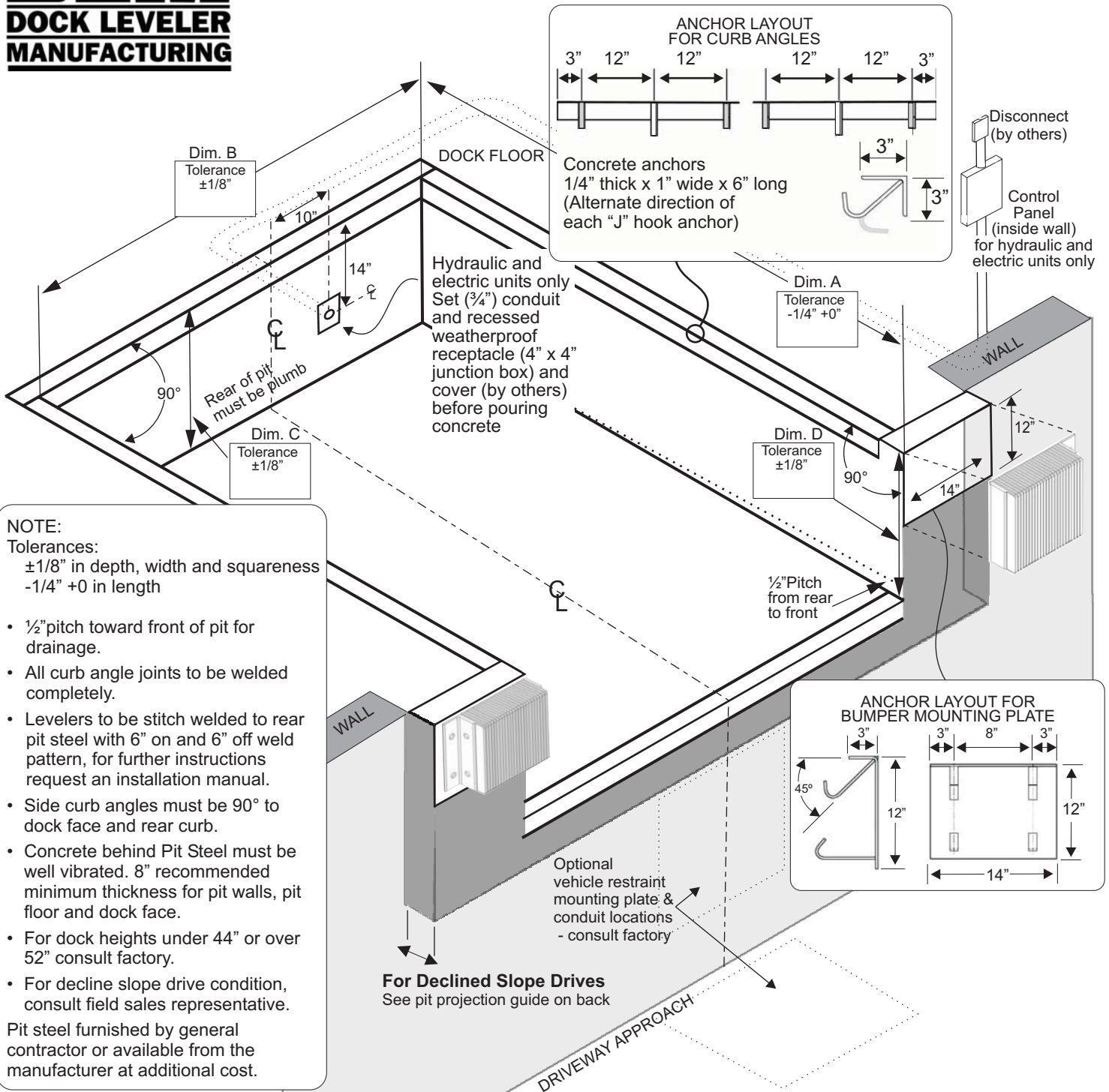




PIT DETAIL FOR DM and LMD SERIES MECHANICAL DH and LHD SERIES HYDRAULIC AND DA SERIES AIR POWERED DOCK LEVELERS



NOTE:
Tolerances:
 $\pm 1/8"$ in depth, width and squareness
 $-1/4" +0$ in length

- 1/2" pitch toward front of pit for drainage.
- All curb angle joints to be welded completely.
- Levelers to be stitch welded to rear pit steel with 6" on and 6" off weld pattern, for further instructions request an installation manual.
- Side curb angles must be 90° to dock face and rear curb.
- Concrete behind Pit Steel must be well vibrated. 8" recommended minimum thickness for pit walls, pit floor and dock face.
- For dock heights under 44" or over 52" consult factory.
- For decline slope drive condition, consult field sales representative.

Pit steel furnished by general contractor or available from the manufacturer at additional cost.

Customer: _____	Certified For Construction:
Job: _____	By: _____
Location: _____	Date: _____
Qty: _____	Company: _____
Model/Size: _____	City & State: _____
Capacity: _____	Voltage/Phase: _____
Represented By: _____	Drawing #: _____
Sales Representative: _____	

Pit dimensional tolerances are $\pm 1/8$ " in depth, width and squareness, $-1/4$ " $+0$ in length.
 DLM/Systems, Inc. assume no liability for deviations beyond this tolerance.

Dimensions below are for all DM and LMD Series Mechanical, DH and LHD Series Hydraulic, and the DA Series Air Powered, pit type levelers, all capacities, except 60K industry rated capacity levelers and higher - Dim. "C" 23 1/2 Dim. "D" 24"								
Leveler Size	Contractors Bill Of Material				Nominal Pit Dimensions			
	Curb Angles 1/4" x 3" x 3"			Bumper Plates	Dim. "A" Length	Dim. "B" Width	Dim. "C" Depth (rear)	Dim. "D" Depth (front)
	Front (Qty 1)	Rear (Qty 1)	Side (Qty 2)	1/4" Thick (Qty 2)				
6' x 6'	74"	80"	60"	3" x 12" x 14"	63"	74"	19 1/2"	20"
6.5' x 6'	80"	86"	60"	3" x 12" x 14"	63"	80"	19 1/2"	20"
7' x 6'	85"	91"	60"	3" x 12" x 14"	63"	85"	19 1/2"	20"
6' x 8'	74"	80"	84"	3" x 12" x 14"	87"	74"	19 1/2"	20"
6.5' x 8'	80"	86"	84"	3" x 12" x 14"	87"	80"	19 1/2"	20"
7' x 8'	85"	91"	84"	3" x 12" x 14"	87"	85"	19 1/2"	20"
6' x 10'	74"	80"	108"	3" x 12" x 14"	111"	74"	23 1/2"	24"
6.5' x 10'	80"	86"	108"	3" x 12" x 14"	111"	80"	23 1/2"	24"
7' x 10'	85"	91"	108"	3" x 12" x 14"	111"	85"	23 1/2"	24"
6' x 12'	74"	80"	132"	3" x 12" x 14"	135"	74"	23 1/2"	24"
6.5' x 12'	80"	86"	132"	3" x 12" x 14"	135"	80"	23 1/2"	24"
7' x 12'	85"	91"	132"	3" x 12" x 14"	135"	85"	23 1/2"	24"

Optional Bumper Plates - in lieu of above

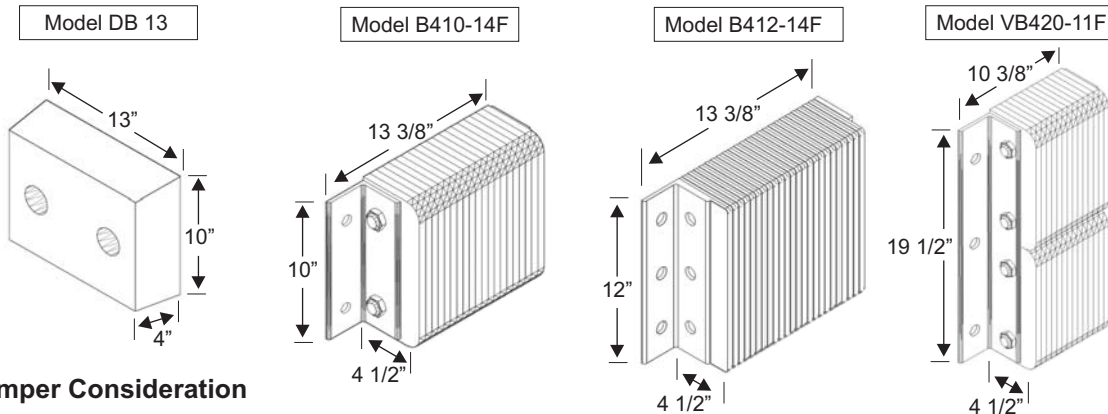
- 11" wide x 20" high (Qty 2)
- 11" wide x 24" high (Qty 2)
- Other Bumper Embed _____ (Qty 2)

Pit Projection Guide for Decline Slope Driveways

Percentage Of Grade = $\frac{\text{Rise of Driveway}}{\text{Driveway Length}}$	% of Driveway Grade	0%	1%	2%	3%	4%	5%	6%	7%	8%	9%	10%
	Pit Projection	0"	3"	4"	5"	6"	7"	8"	9"	10"	11"	12"
	*Excludes Bumper Projection											

NOTE: Projection of pit may require modifications to seals and shelters. Coordinate with supplier if required.

Bumper Layout



Bumper Consideration

- 2 Model DB 13 Molded bumpers **Standard on LMD (mechanical) and LHD (hydraulic) Series Levelers**
 - 2 Model B410-14F laminated bumpers **Standard on DM (mechanical) DH (hydraulic) DA (air powered) Series Levelers**
 - 2 Model B412-14F laminated bumpers
 - 2 Model VB420-11F laminated bumpers
 - Other Bumper: _____
- Optional - 6" Projection
 Optional - Steel face

A continuing Product improvement process is in effect at Systems, Inc. We reserve the right to make product changes without prior notice.