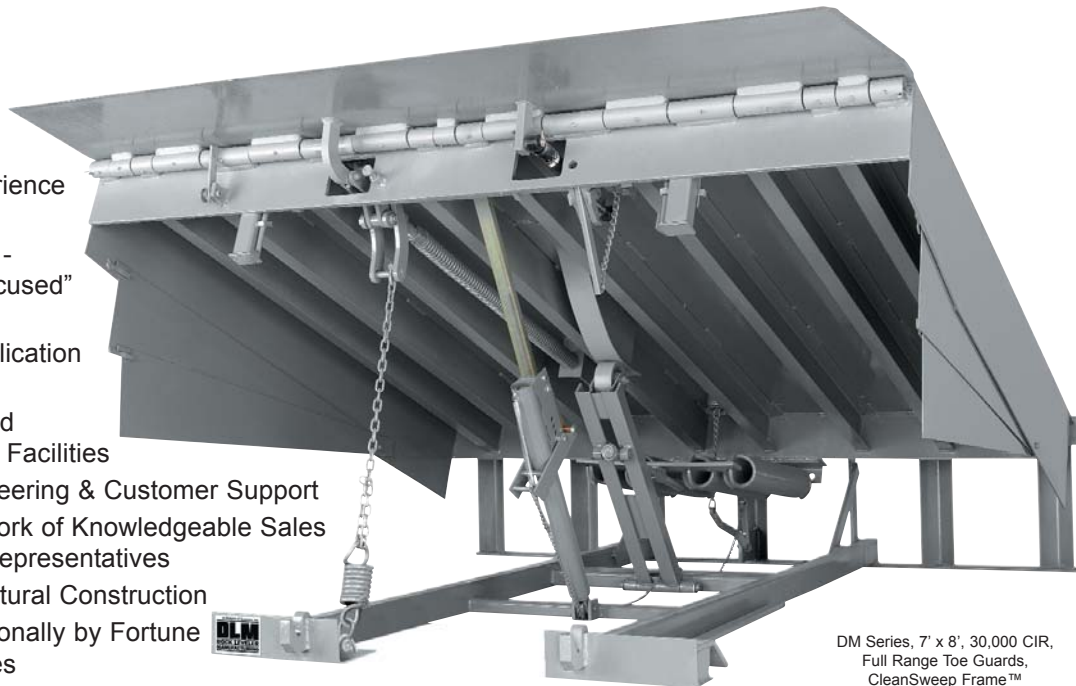


DM Series, 7' x 8', 50,000 CIR, Full Range Toe Guards, CleanSweep Frame™

Since introducing the “freight industry’s” first Edge-of-Dock leveler in 1962, DLM has continued to provide innovative ways to improve productivity and safety at the loading dock. The DLM “DM” Series mechanical leveler is value engineered to meet both application and budget constraints while maximizing productivity, optimizing efficiency and improving safety. From superior structural design to unlimited operator features, the “DM” Series mechanical leveler is a wise investment.

## DLM Overview

- Industry Experience Since 1962
- Privately Held - “Customer Focused” Enterprise
- Extensive Application Experience
- Fully Integrated Manufacturing Facilities
- On-Site Engineering & Customer Support
- National Network of Knowledgeable Sales and Service Representatives
- Superior Structural Construction
- Accepted Nationally by Fortune 500 Companies



DM Series, 7' x 8', 30,000 CIR, Full Range Toe Guards, CleanSweep Frame™

# DM Series Mechanical Dock Leveler



DLM's continuing commitment, is to design and build the very best dock levelers our industry has to offer. A strong customer focus has facilitated the inclusion of important user features into every "DM" Series leveler - important features like:

## Structurally Superior

- Over 29" of direct rear hinge support - heaviest in the industry.
- Four sided box construction provides unmatched structural integrity.
- Deck construction is capacity dependent to insure your loading bridge matches the demands of the facility.
- Leveler lip and deck are constructed with high-strength 55,000 lb yield, safety treadplate.
- Deck support members are application dependent
  - Low Capacity - Roll form "C" channel
  - Medium Capacity - Structural "C" channel
  - Heavy Capacity - Structural "C" channel and "I" beam
- Close and consistent spacing of beams provide necessary support for 3-wheeled and 4-wheeled fork trucks.

## CamControl™ Counter Balance Assembly

- Multiple spring counter balance.
- Precision lifting roller and metered cam provide superb balance and easy walk down of the ramp.

## DM Series Standard Features Include ...

- |  |  |
|--|--|
| • Four Sided Box Construction - Deck Assembly          | • CleanSweep Frame™                      |
| • Multi-position Structural Steel Safety Legs          | • Lockout/Tagout Maintenance Strut       |
| • Below Dock Endloading Control                        | • Night Locks/Cross Traffic Support      |
| • Extended Range, Heavy Duty Float/Hold-down Mechanism | • 3-wheel ForkTruck Protection (35k+CIR) |
| • Yieldable Lip Plate                                  | • Lip Supporting Service Strut           |
| • CamControl™ Counter Balance Assembly                 | • Working Range Toe Guards               |
| • Lip Drive™ Positive Lip Extension                    | • Grease Fittings                        |
|  | • Two (2) B410-14 Laminated Bumpers      |

## Easy Release

- Finger tip release operation via unique lever design.
- Extended range float barrel with automatic release provides unlimited float capability - an important consideration for servicing air-ride suspension trailers.



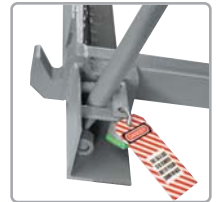
## CleanSweep™ Frame

- Provides clear access to area beneath platform.
- Allows easy removal of debris.
- Ideal for food distribution facility applications or where maintaining sanitary standards is important.



## Deck & Lip Maintenance Struts

- Permanently mounted, hinged maintenance strut supports deck during maintenance or inspection.
- Maintenance strut is lockout/tagout capable.
- Lip support strut permits independent support of lip.



## Lip Drive™ Positive Lip Extension

- Lip Drive provides reliable lip extension activation.
- Lip Assist spring restricts the descent of the lip until walk down is performed.
- Gas filled shock meters the decent of the lip and is reliable in all climate conditions.
- Lip mechanism is completely yieldable.



**Designed, Engineered  
& Manufactured  
in the U.S.A.**

**Distributed By:**



DLM • Division of Systems, Inc.  
Germantown, WI 53022  
800.643.5424 • fax: 262.255.4199 • [www.DockSystemsInc.com](http://www.DockSystemsInc.com)